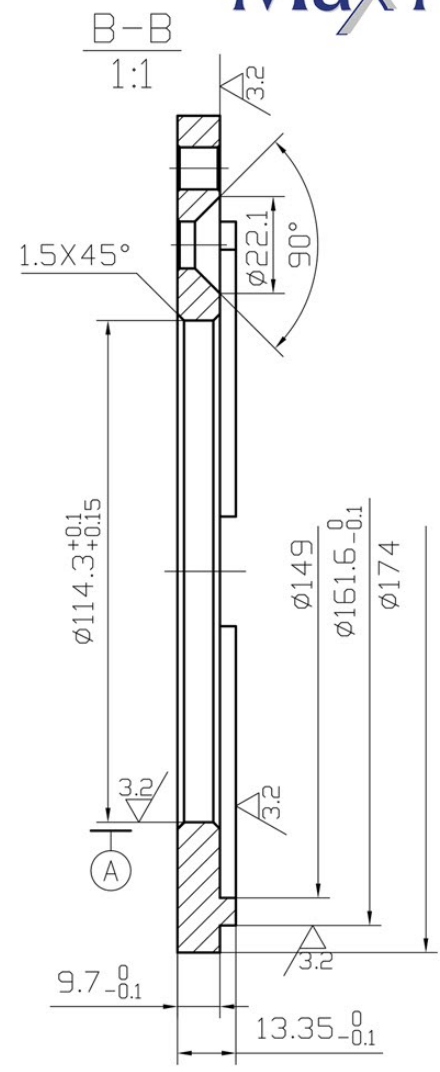
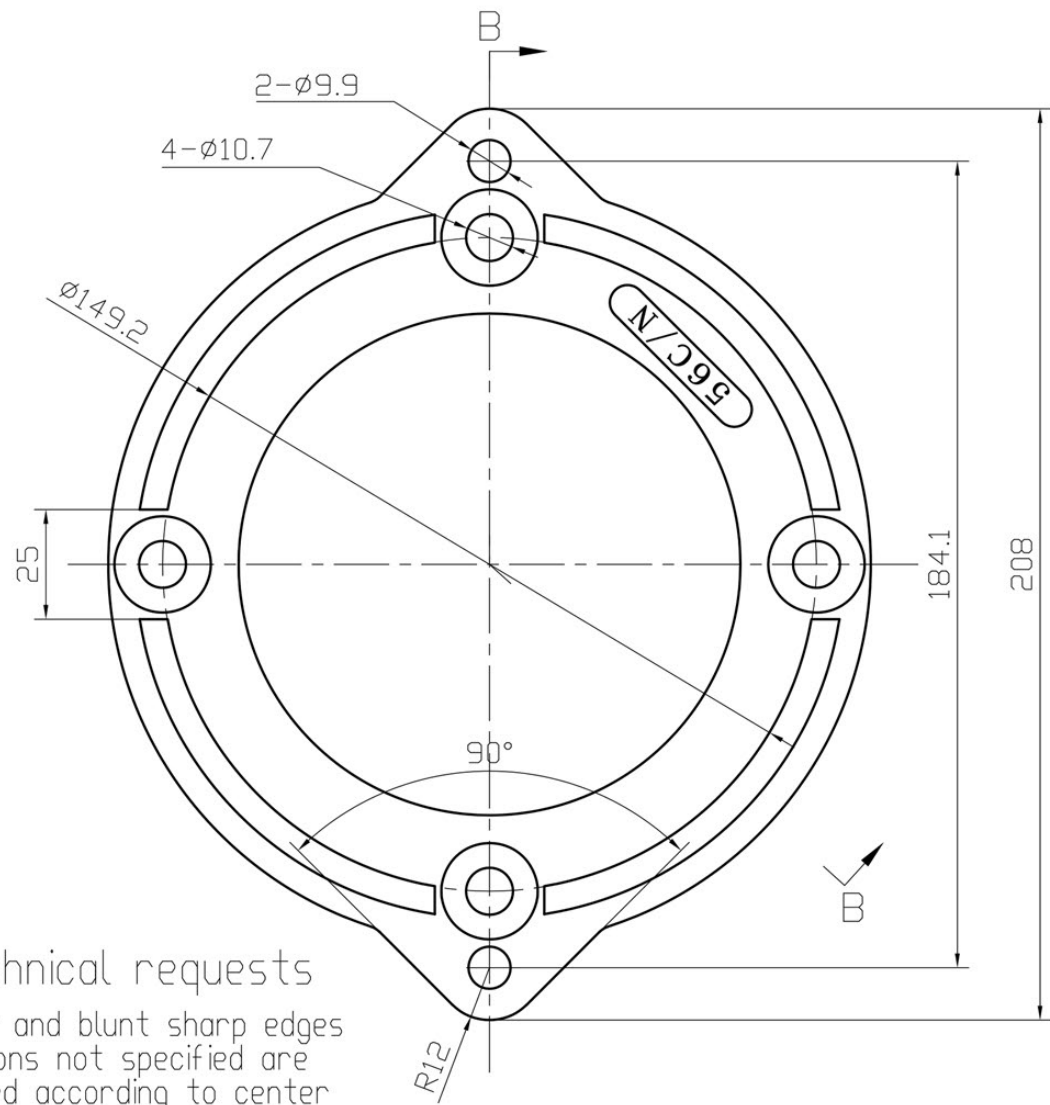
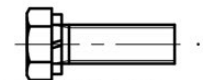
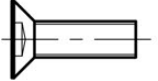


Version:2HUA	Revised: uly 2020	HP	RPM	FRAME	ENCLOSURE
Customer is responsible in determining that MaxMotion product will fit/perform suitably in the intended application		1	1800	56HC	TEFC

MTR-104FDCH



technical requests
debur and blunt sharp edges
dimensions not specified are
machined according to center
symmetry

<p>ITEM #:56C/N</p>	 <p>5/16-18UNCx1-1/4 With Spring Washer Galvanized 2 PCS</p>	 <p>3/8-16UNCx1 Blackening 4 PCS</p>
----------------------------	--	--